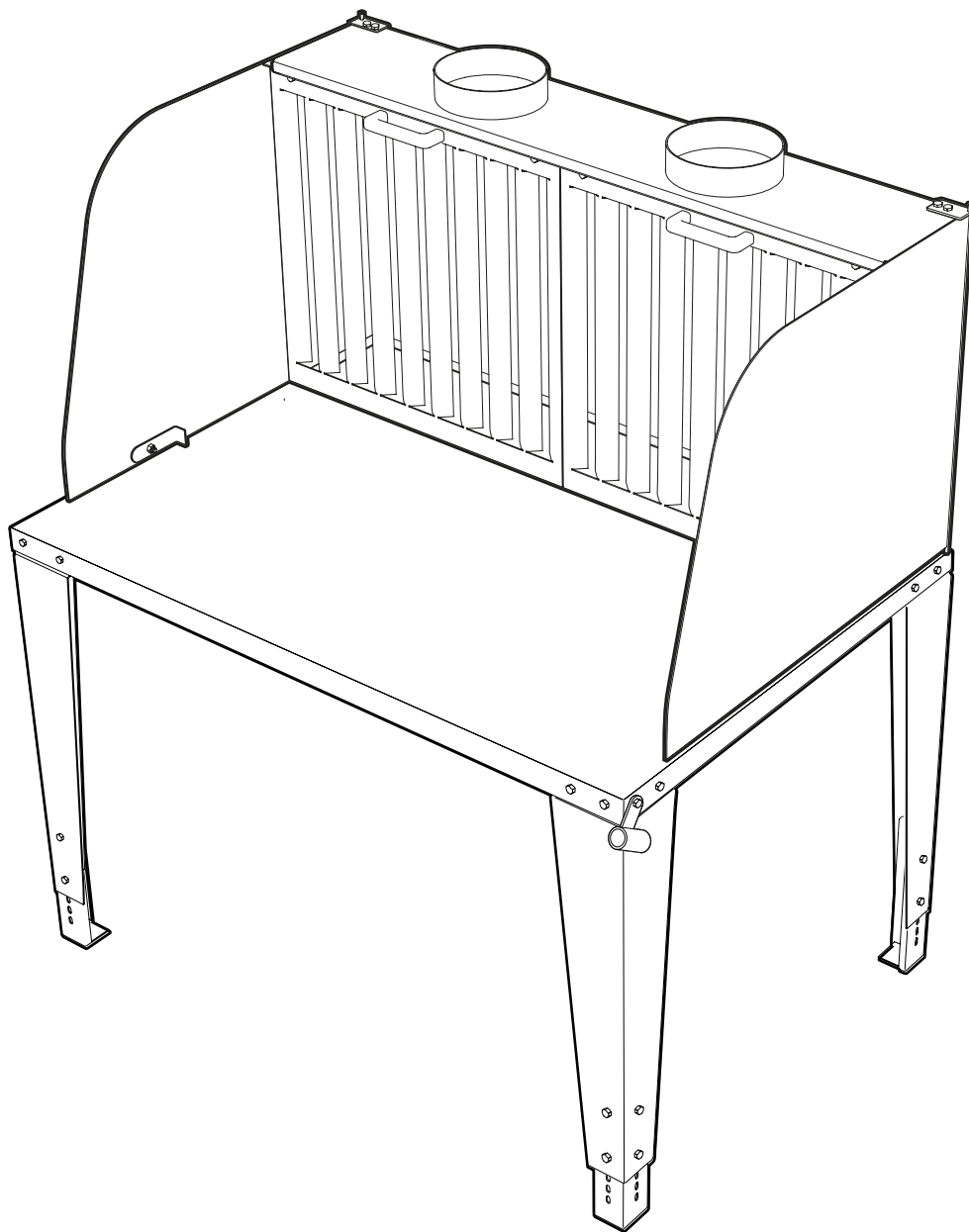
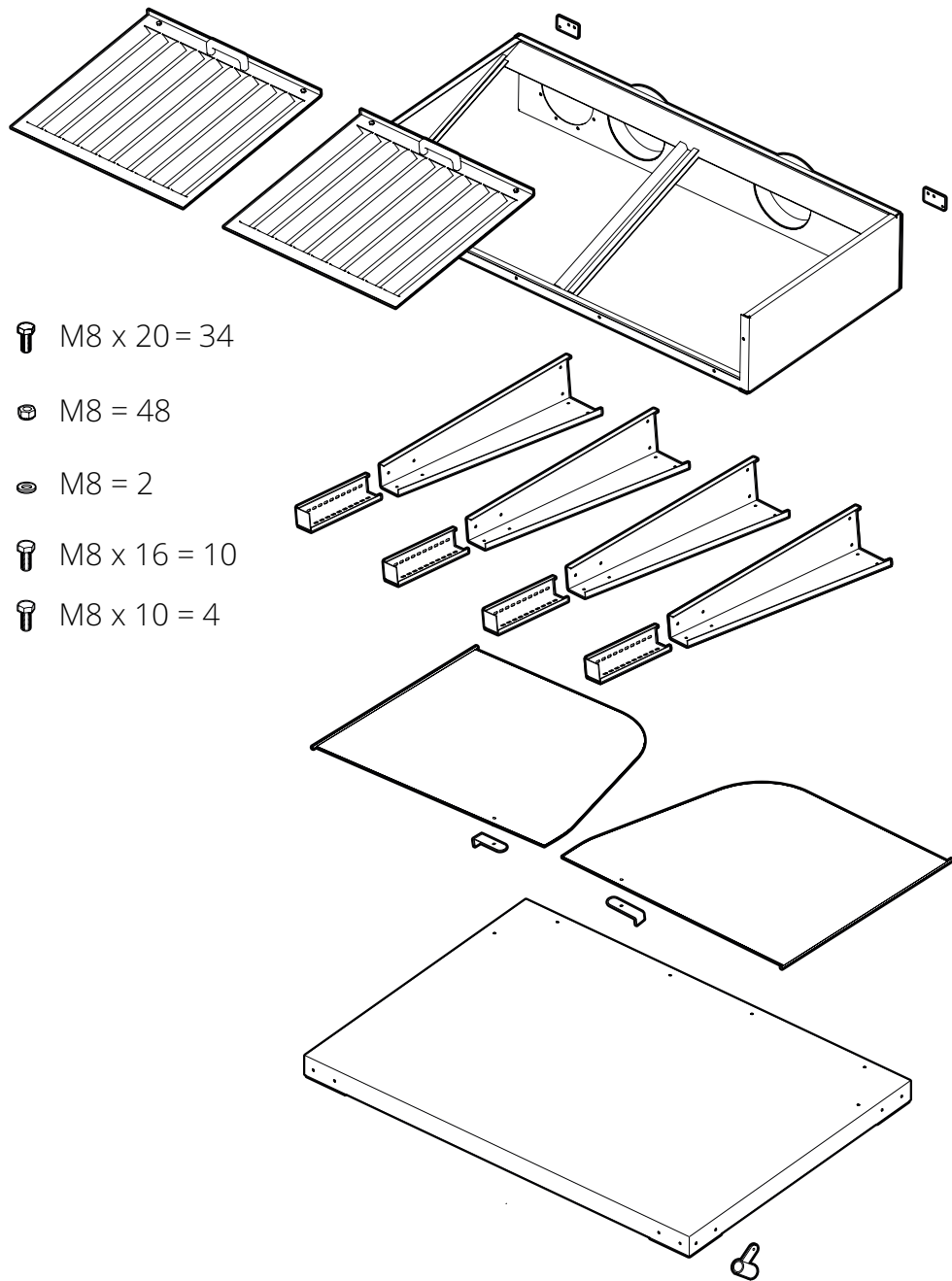
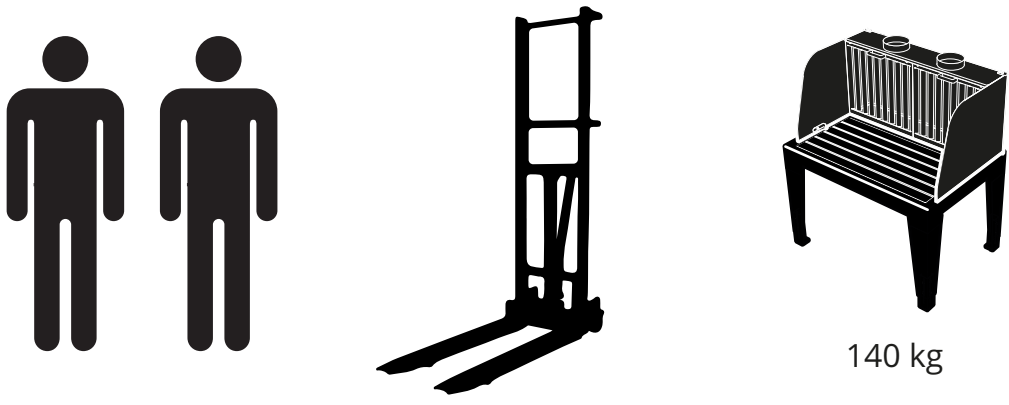


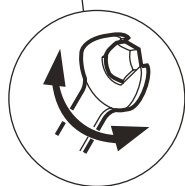
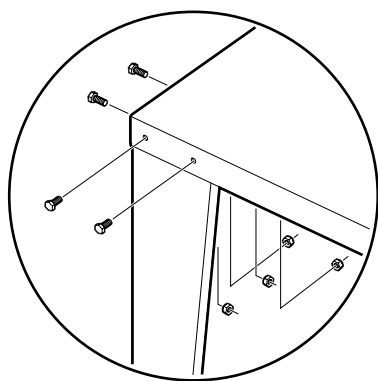


# TW

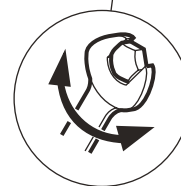
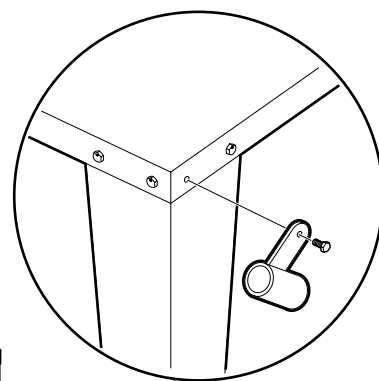
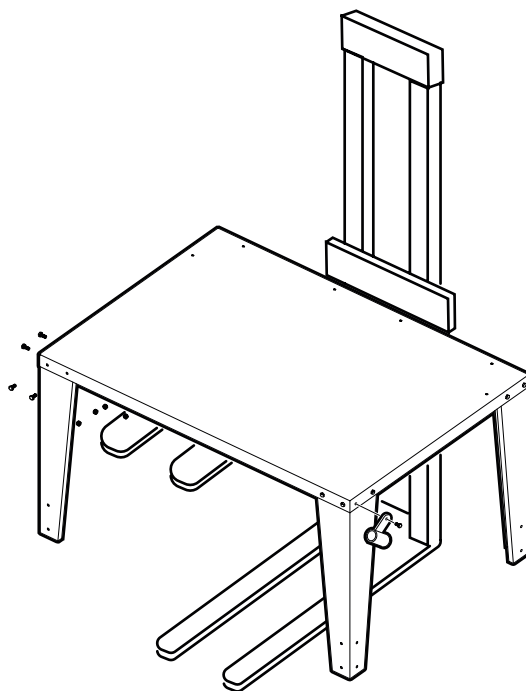




1

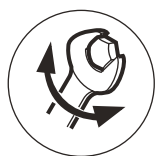


13 mm  
M8x20 x 12

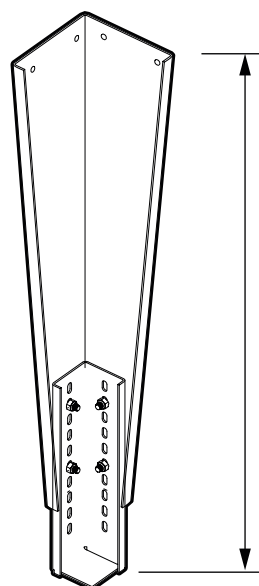
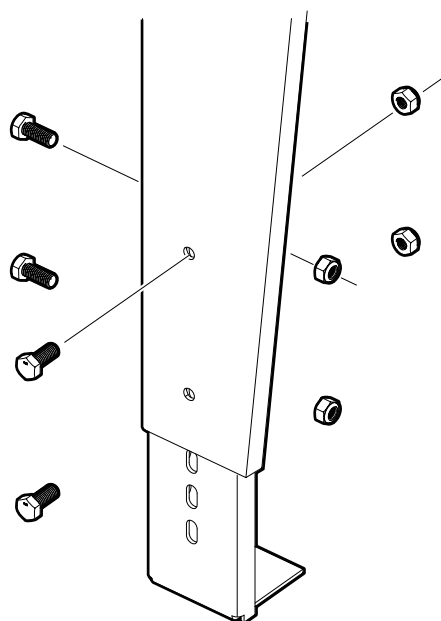


13 mm  
M8x20 x 12

2

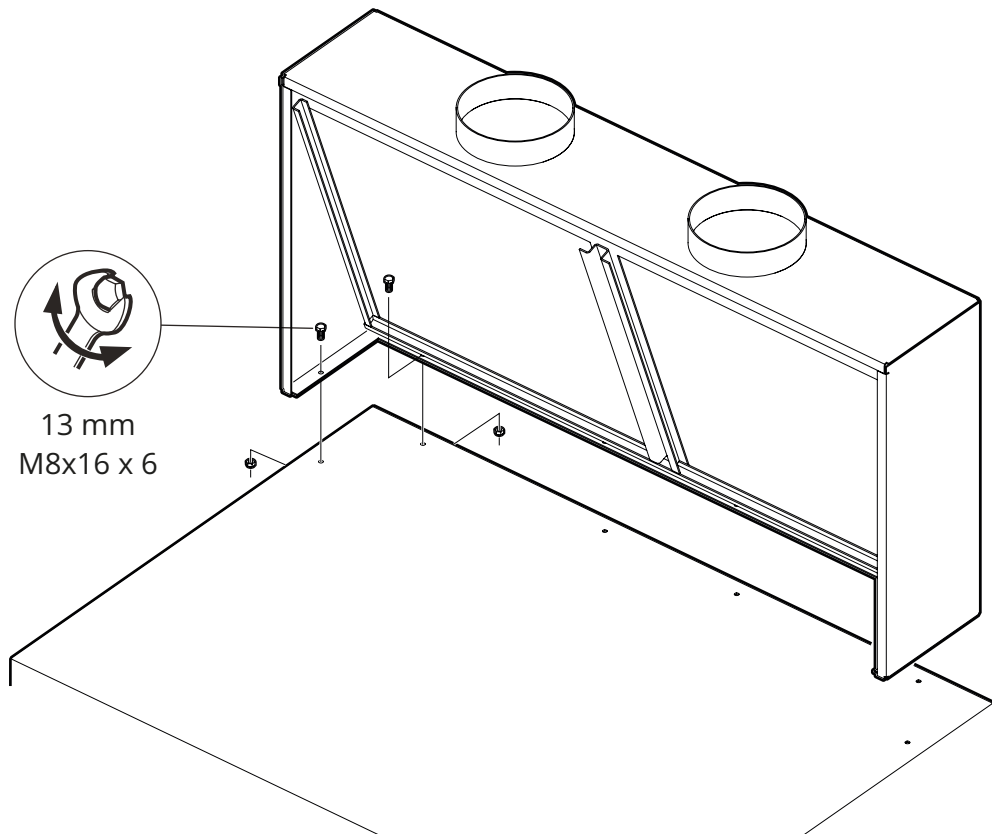


13 mm  
M8x20 x 16

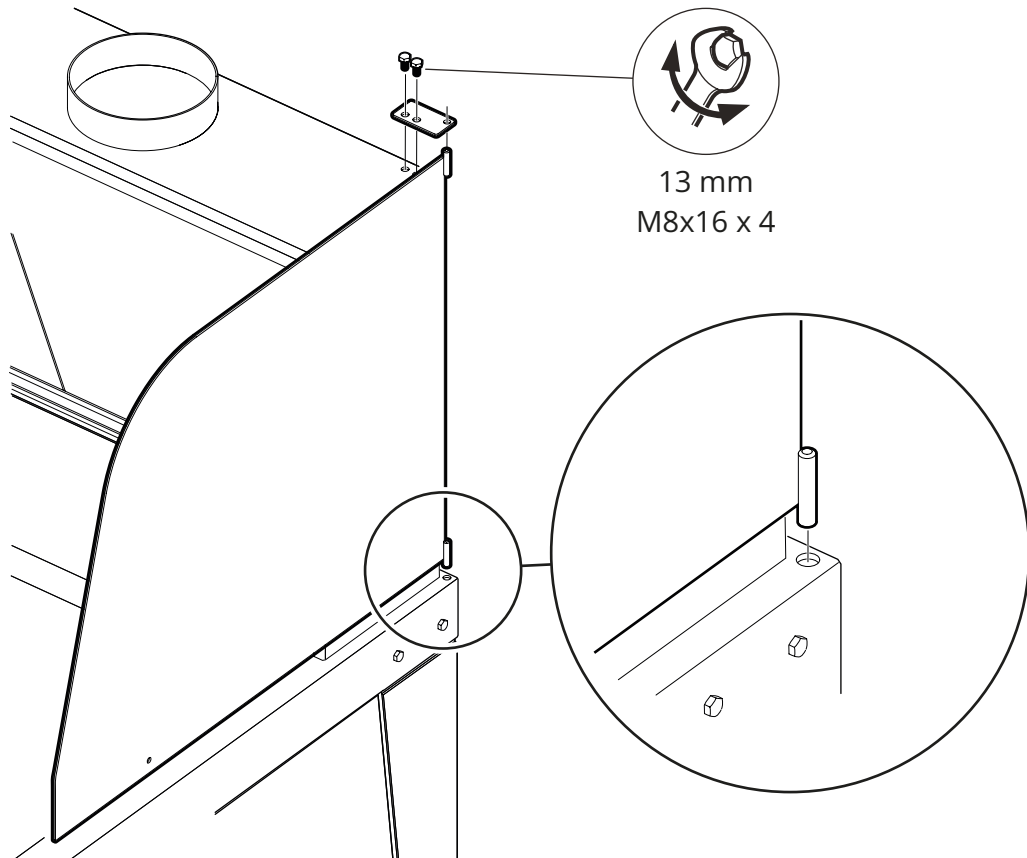


80 - 95 cm

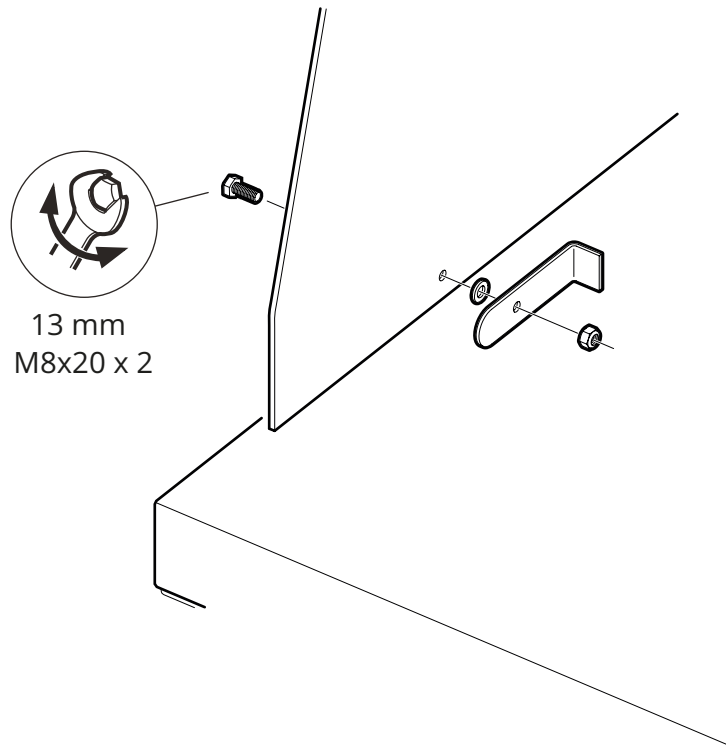
3



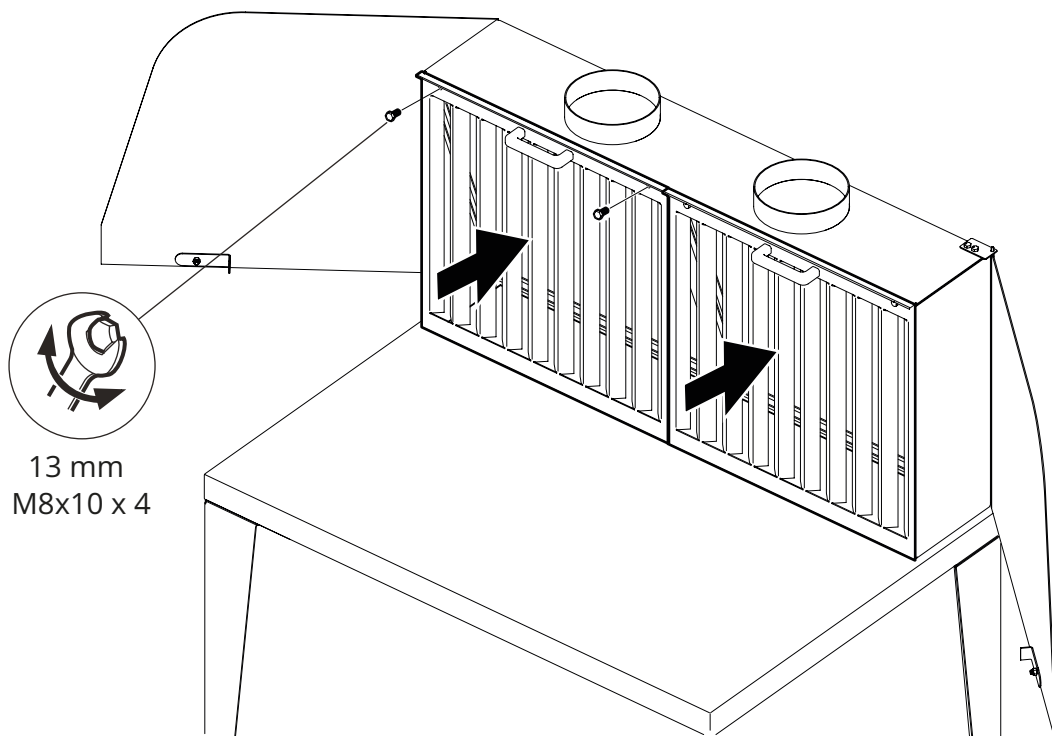
4



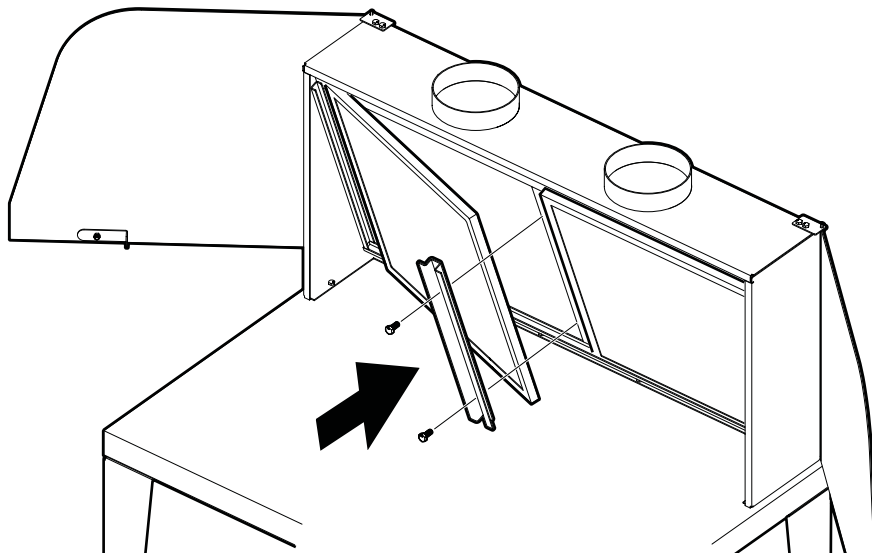
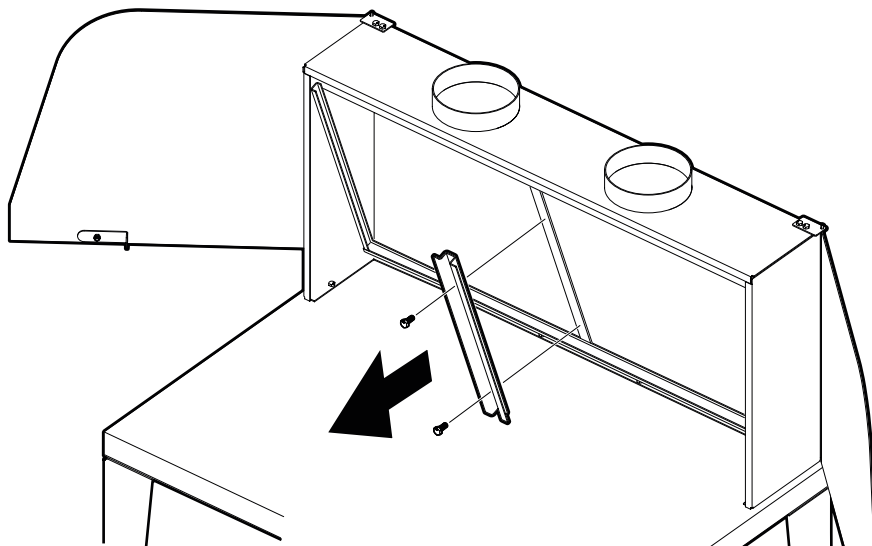
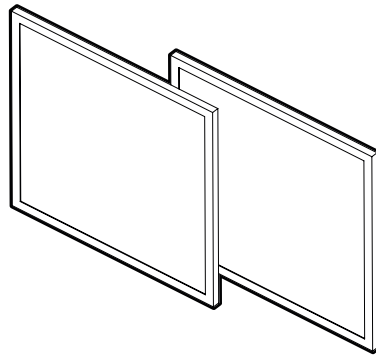
5



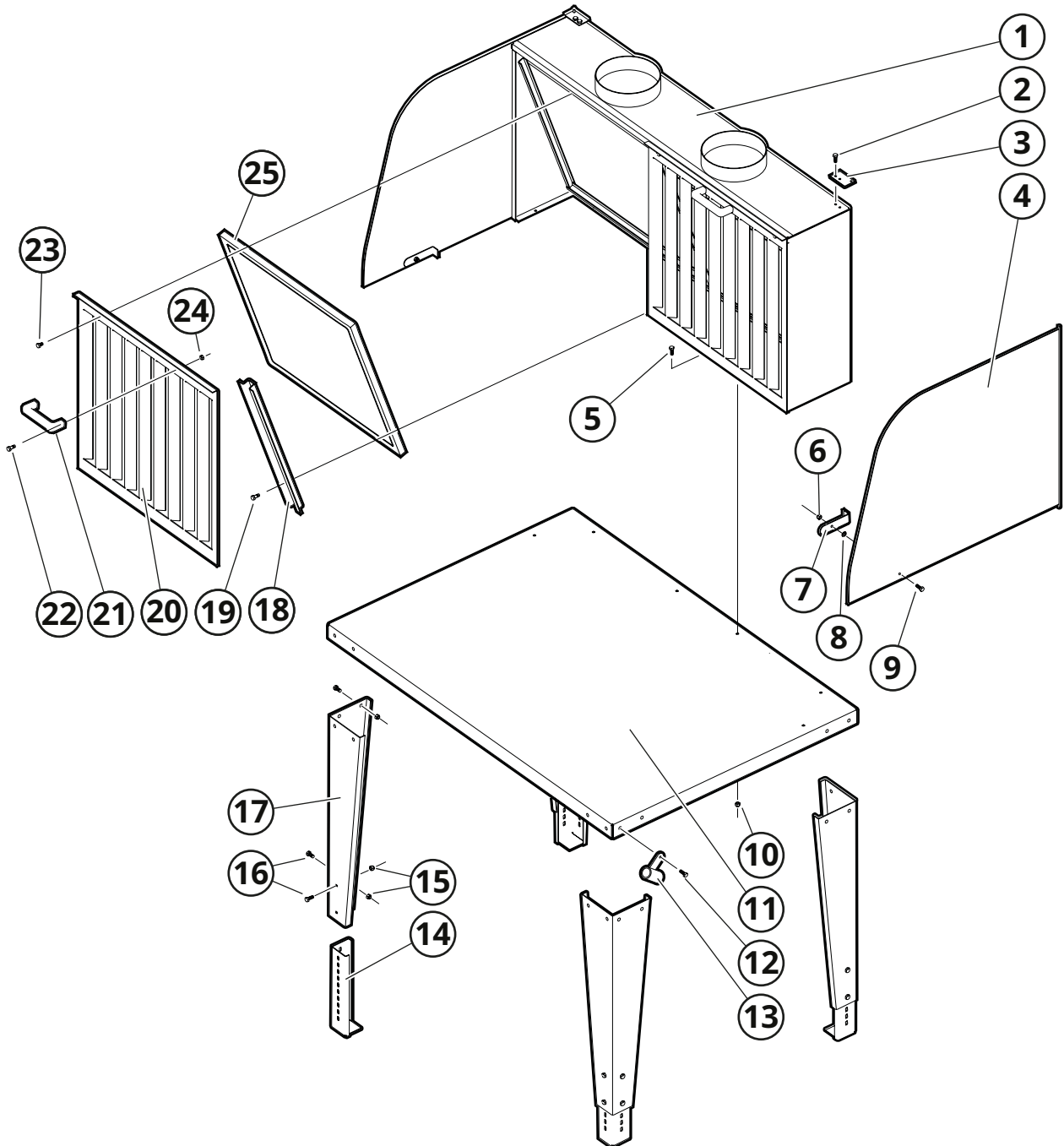
6



# Spark trap TST (Accessory)



# Exploded view



EXTRACTION ARMS · VEHICLE EXHAUST EXTRACTION · FANS · FILTERS · CURTAINS · CONTROLS

**FUMEX**

Verkstadsvägen 2, 931 61 Skellefteå, SWEDEN • +46 (0)910-361 80 • info@fumex.se • [www.fumex.com](http://www.fumex.com)