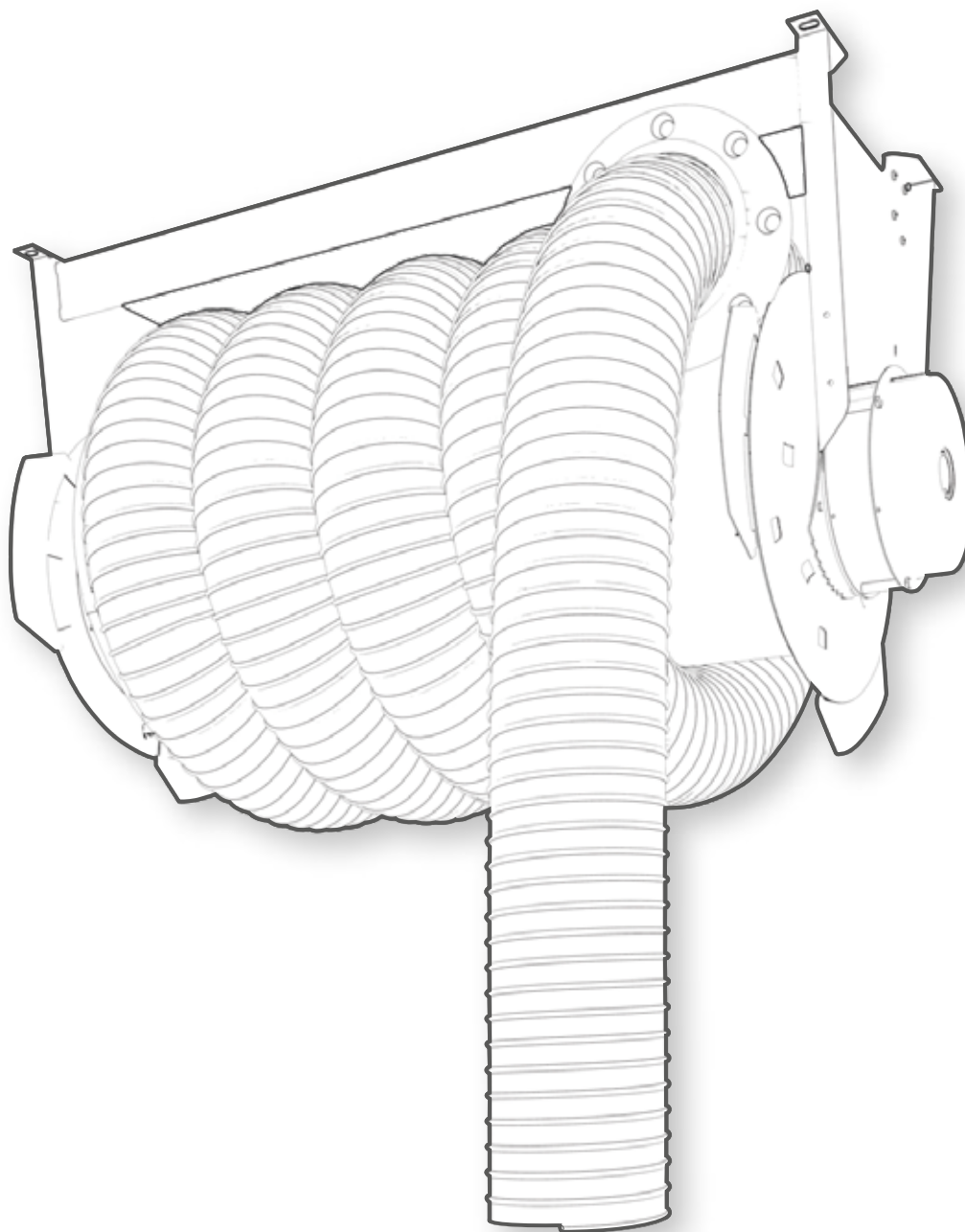


MANUAL

FUMEX ASE 130



CONTENTS	PAGE
1 Identification	3
1.1 Manufacturer	3
1.2 Product name	3
1.3 Year of manufacture	3
1.4 Area of use	3
2 Technical specification	3
2.1 Design	3
2.2 Function	3
2.3 Technical data	4
2.4 Security	4
2.4.1 Activation	4
2.4.2 Hazards	4
3 Preparation for use	5
3.1 Transport and storage	5
3.2 Installation and assembly	5
3.2.1 Assembly	5
3.2.2 Hose selection	6
4 Operating instructions	6
4.1 Installation and startup	6
4.1.1 Before startup	6
4.1.2 Assembly and operation	6
5 Troubleshooting	6
5.1 Troubleshooting guide	6
6 Care instructions	6
6.1 Activation	6
6.2 Maintenance	7
6.2.1 Checklist maintenance	7
7 Details diagram	7
8 Accessories	8

Hereafter, the following symbols will refer to:



Safety instructions (applicable to people or productry) that must always be adhered to. Risk of fatality or risk of personal injury or damage to property are present.



Instructions that will provide you with important information for an optimally functioning hose reel.

1 Identification

1.1 Manufacturer

Fumex AB
Verkstadsvägen 2
931 61 Skellefteå, Sweden
Tel: +46 (0)910-36180
Email: info@fumex.se

1.2 Product name

ASE 130

1.3 Year of manufacture

2018

1.4 Area of use

Fumex ASE is a hose reel intended for evacuation of exhaust gases and prevents obtrusive hoses lying on the floor. The hose reel takes up little space and can be mounted on the ceiling or wall.



Explosive gases must not be removed!

To preserve the validity of the product warranty, it is forbidden to modify or re-engineer the product during the warranty period without first obtaining prior approval from Fumex. This is also applicable to any spare parts used which do not comply with the manufacturer's specifications.

Damage that is not due to normal use of the product will result in:

- the warranty being voided.

2 Technical specification

2.1 Design

Exhaust hose reel ASE, see Fig. 1.

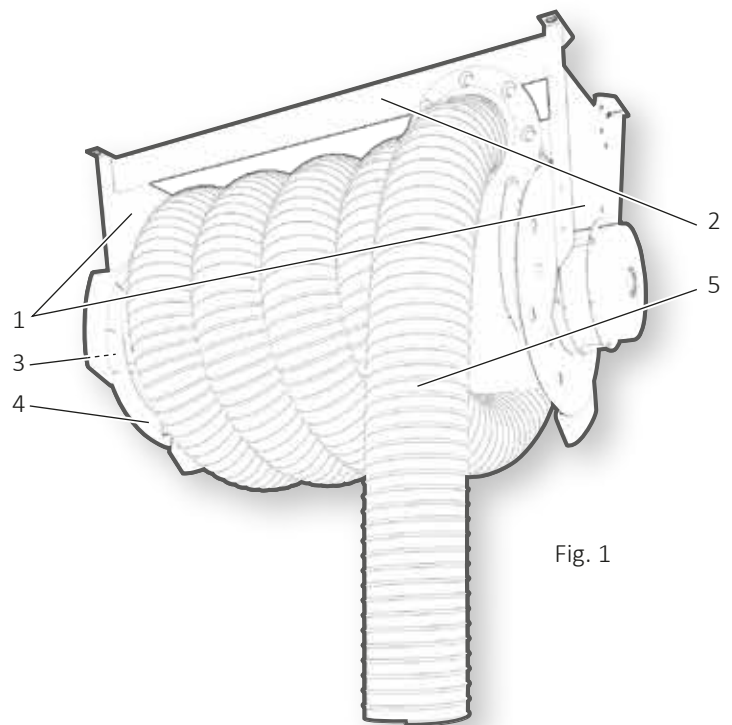


Fig. 1

ASE consists of brackets (1), beams (2), duct connection (3), retractor reel device (4) and hose (5).

2.2 Function

The exhaust hose reel is designed for use as a suction device for vehicle exhausts.

Contaminated air is sucked into the hose by a separate fan which is connected to the duct connection. The hose reel ASE works with a ratchet. This means pulling out the hose to the desired locked position and then when you pull the hose again it releases the lock.



In the locked position the spring package is in full force.

2.3 Technical data

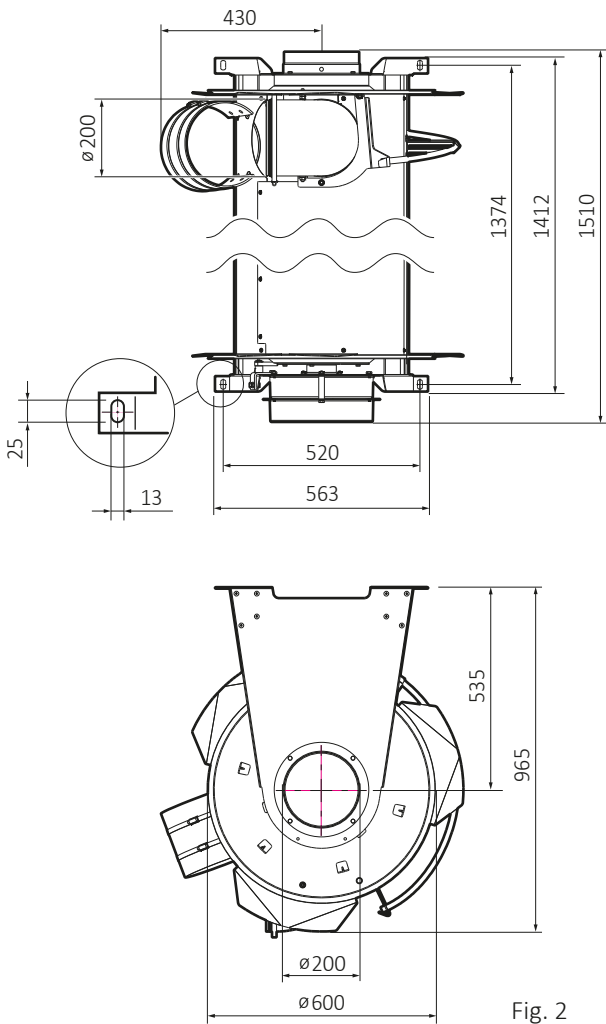


Fig. 2

Hose reel ASE 130

Weight*: 57 kg
 Material cross member: Anodised Aluminium
 Material other metal: Steel
 Material inlet bearing: Plastic
 Material outer bearing: Plastic
 Colour bracket (Grey): NCS S8502-B
 Colour end caps (Blue): NCS S7020-R90B
 Max. lifting power: 30,5 kg
 Max. rolled-up hose (Ø200 mm): ... 11 m

Temperature limits

Operating temperature: +5 to +650 °C**
 Ambient temperature: +5 to +50 °C
 Transport and storage temp: -20 to +50 °C

* Excluding hose.

** Temperature resistance depends on the hose selection.
 For other temperatures, contact Fumex

2.4 Safety

2.4.1 Activation

The product is safe to use. It is designed in such a way that hazardous parts only occupy restricted areas. Even so, if the product is not used correctly or as intended, it may be hazardous to the user or cause damage to the product. The user should therefore be informed and trained to handle the product's safety features.

To minimize work-related accidents and injuries during use, risk reduction has been carried out as follows:

- **built-in safety** in the design.
- **technical protection** such as barriers, etc.
- **information for use** such as user instructions and labels, etc.



The product/system may only be used in perfect technical condition and in accordance with the user instructions. Faults that may reduce safety must be eliminated immediately!



In addition to the user instructions, national and local safety and accident prevention regulations must be followed when operating the product.

2.4.2 Hazards



Note that moving parts in the system always pose a risk (e.g. cutting, clamping or gripping points).

3 Preparation for use

3.1 Transport and storage



Protect the hose reel from rain, snow aggressive atmospheres and other damaging circumstances.

3.2 Installation and assembly

3.2.1 Assembly

Assembly may only be carried out under consideration of these assembly instructions and applicable regulations.

1. Remove all the packaging from the product and leave it assembled on the pallet.



Item 2-6 does not apply if the reel has been ordered complete with hose.

Product	Dim. (mm)	Hose length (m)	Bias (turns)*
ASE 130	8	33	9
ASE 130	8	41	11
ASE 130	8	49	12

* The calculations only apply when using Fumex original AGX hose, Fumex 3.2 kg nozzle and an installation height of 6 metres.



When assembling the hose, ensure that the reel is blocked correctly. Risk of personal injury.

2. Secure the pallet and pre-load the hose reel according to the table. Turn the drum in the direction indicated by the arrow (1, Fig. 3).
3. Remove the hose clamp (2) and rubber sheet (3).
4. Install the hose (5) on the suction tube (4) using hose clamps (6).
5. Secure the hose by first placing the rubber cloth (3) around the hose. Then pull the hose clip (2) through the holes and around the rubber sheet to lock securely (Fig. 4).



The hose stop should, when in the retracted position, rest against the drum and fit between the end cap and the adjacent hose. Risk of wear.

6. Install the hose stop (7, Fig. 3) in the desired position. Release the latch and wind the hose until it stops against the hose stop. Check that the hose stop is working and assembled correctly.
7. Remove the roller from the pallet and install it onto the ceiling or wall using correctly dimensioned fastening elements.

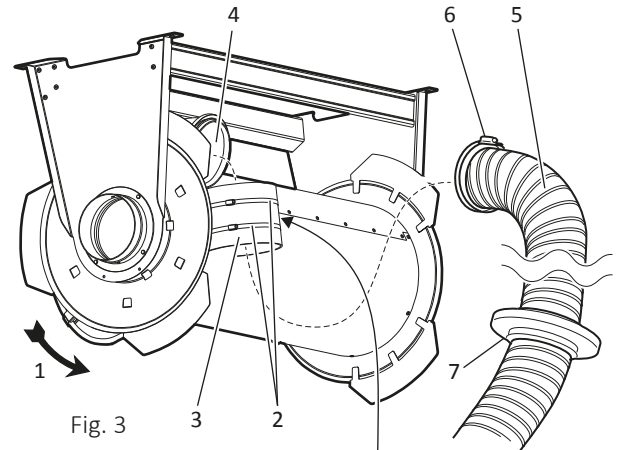


Fig. 3

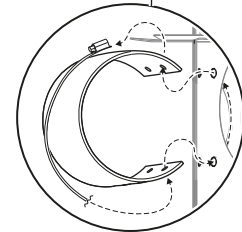


Fig. 4

8. Check the roller and the ventilation ducts properly, so that foreign objects are not present. Remove any such objects immediately.
9. Seal and install the ventilation ducts directly to the duct connection on the roller, or use a hose ASL 200 between the duct and roller (see **Accessories**).
10. Check that the gaskets and connections on the roller and ventilation duct are tight.
11. Install the nozzle.
12. The hose winding reel is ready for use.

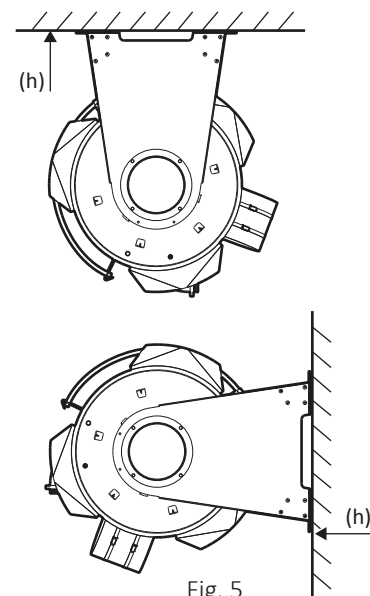


Fig. 5

Maximum mounting height
- 6 m (h, Fig. 5).

3.2.2 Hose selection

Select the appropriate hose length, see table.



If using your own hose, use accessory AES 200, a hose stop that meets the safety requirements for the product.

For information relating to AES see **8 Accessories**.



Max. rolled-up hose Ø200 mm is 11 metres.

4 Operating instructions

4.1 Installation and startup

4.1.1 Before startup



Before startup the device, read the instructions provided in **chapter 2.4 Safety**.

4.1.2 Assembly and operation



Any faults must be rectified before operational startup.

1. Check that any electrical connections are correctly performed.

5 Troubleshooting

5.1 Troubleshooting guide

Problem	Possible cause	Actions
1. The hose does not stop in the correct position.	Hose stop.	Adjust the position of hose stop.
2. Leakage sound in bearing.	The negative pressure in the system is too high.	Lower the negative pressure (max. 2500 Pa).
	Bearing worn out.	Change bearing.

6 Care Instructions

6.1 Activation



Disruptions caused by lack of or faulty maintenance may result in high costs for the product.

The checklist for maintenance is designed for normal use of the product. The recommended intervals are approximate and refer to the time after the first startup. Depending on the changing operating conditions between the different systems, the intervals for recommended maintenance may differ. The user should therefore determine their own maintenance intervals.



Please remember that only original spare parts may be used.

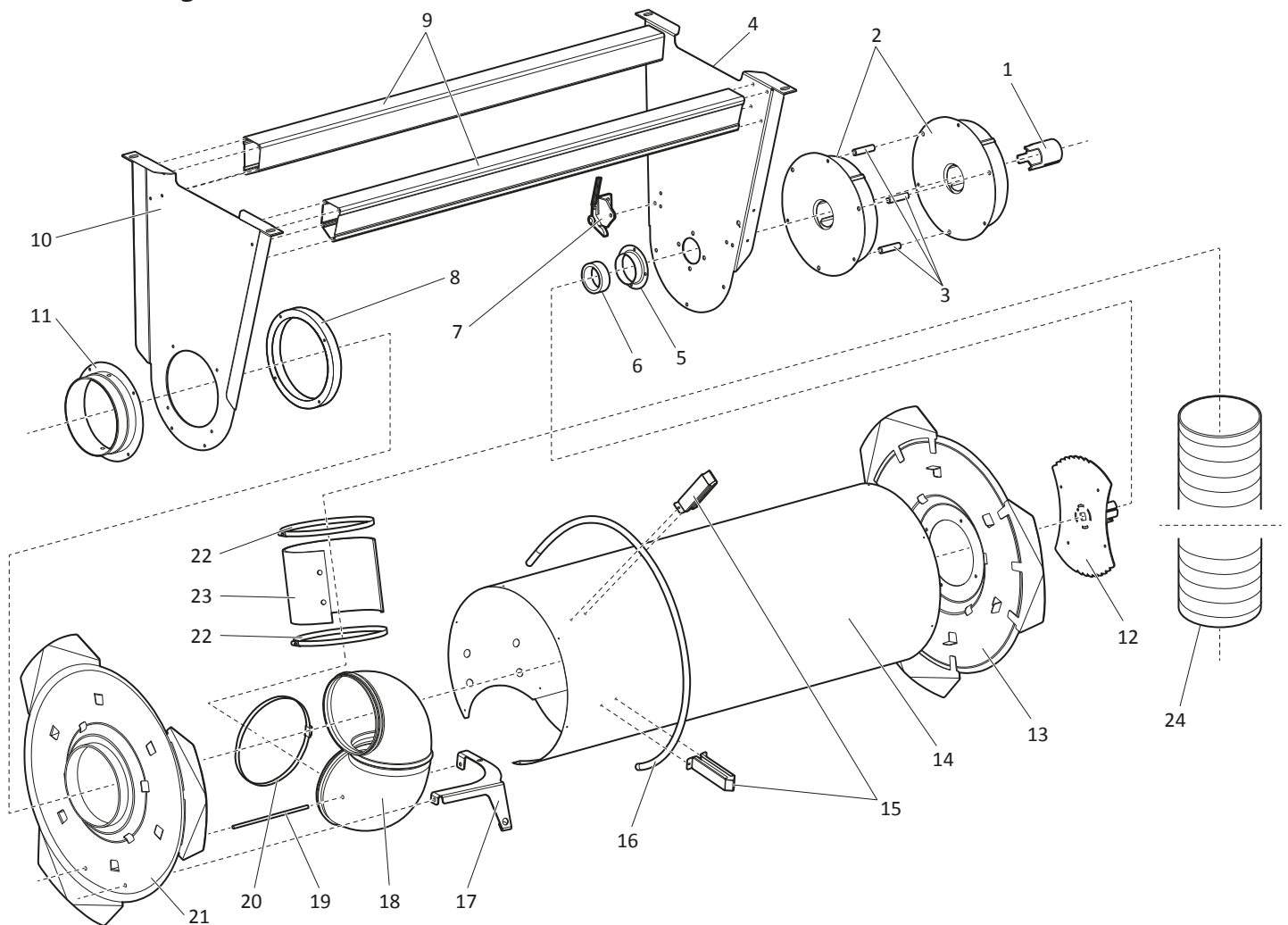
When replacing damaged fasteners, only those of identical quality (strength, material) and type may be used.

6.3 Maintenance

6.3.1 Checklist maintenance

Device	Interval	Item	Inspection module	Maintenance instructions	Date
Hose reel	Daily	1.1	Hose	Check that the hose is intact. Replace if necessary.	
	Every three months	1.2	Hose connections	Check the fastening on hose connections.	
		1.3	Hose reel	Look for leaks, damage and wear.	
	Every six months	1.4	Duct system	Check the dust build-up and clean if necessary.	
		1.5	Hose reel	Clean the roller externally with a damp cloth.	

7 Details diagram

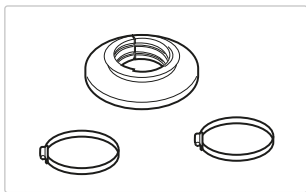


- | | | |
|----------------------|-------------------|------------------------|
| 1. Shaft extension | 9. Beam | 17. Bracket |
| 2. Spring pile | 10. Bracket | 18. Suction tube |
| 3. Spacing sleeve | 11. Connection | 19. Threaded rod |
| 4. Bracket | 12. Ratchet disc | 20. Hose clamp** |
| 5. Bearing retainer | 13. End cap | 21. End cap |
| 6. Guide bearing | 14. Drum | 22. Hose clamp** |
| 7. Locking mechanism | 15. Guard | 23. Protective cloth** |
| 8. Slide bearings | 16. Steering hose | 24. Hose* |

* Accessories AGX hose
 ** Accessories AES 200

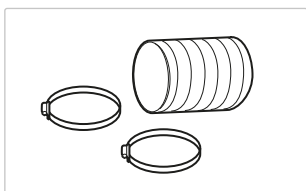
8 Accessories

AES 200



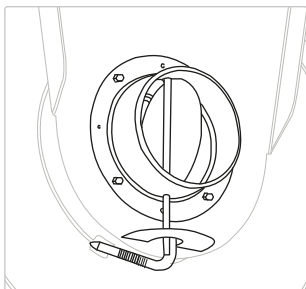
- 1 x Hose stop
- 1 x Hose clamp for installing the hose
- 2 x Hose clamp for installing the hose stop

ASL 200



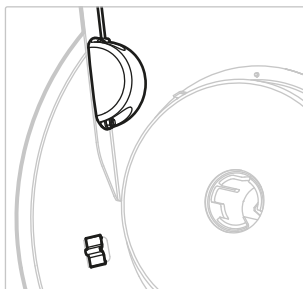
- 2 x Hose clamps
- 1 x Hose, AGX 200, length \approx 0,2 m

ASES 200



Automatic mechanical damper.

ASE 865



Switches to control the fan/electric dampers.

FUMEX