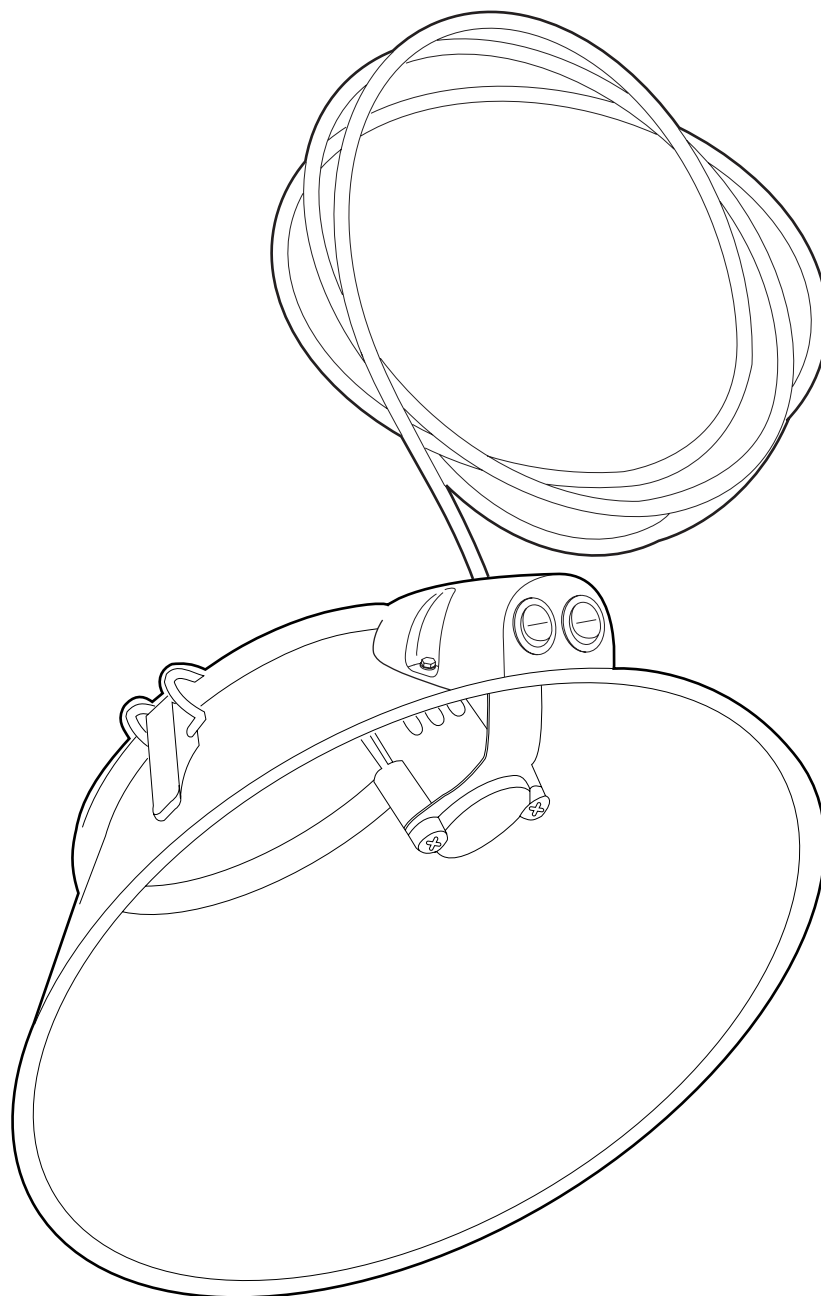


Installation+



PK LED | T | LED/T



FUMEX

PURE ADVANTAGE

General



Electrical components may only be installed by a qualified electrician.

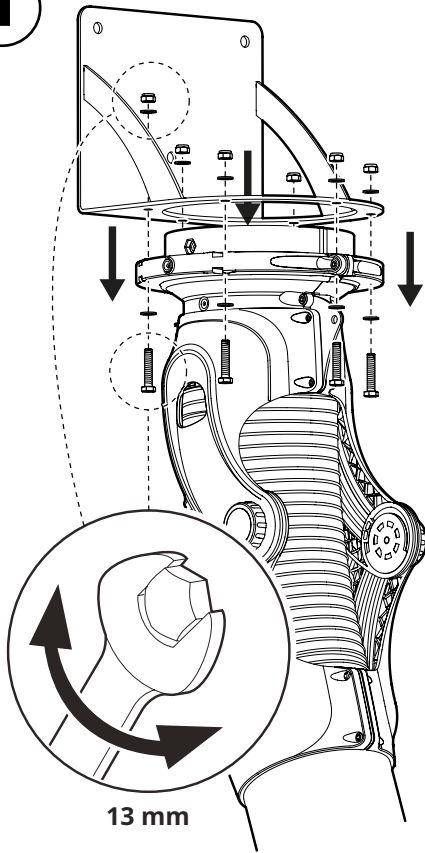
Maximum one lamp can be connected to the power supply.

Push Button Kit PK T, PK LED and PK LED/T is developed for easy starting / stopping of example lamp, fan and damper. If running the LED lamp use the enclosed power supply.

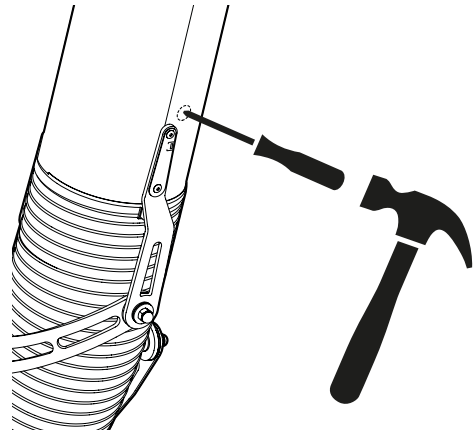
Power supply has built-in AC/DC Converters and supplies the LED with a constant current (350mA).

Installation

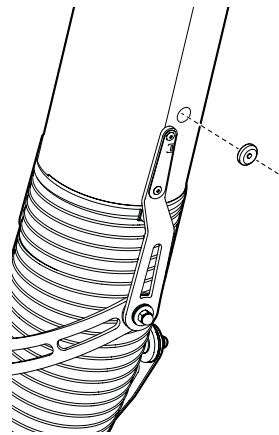
1



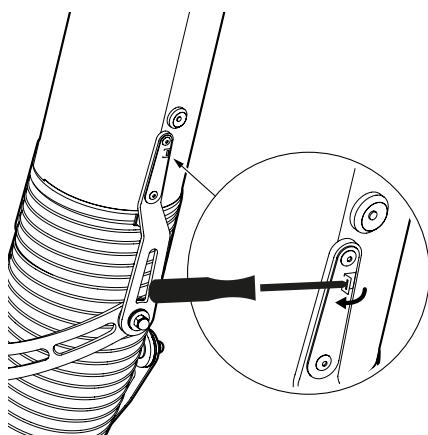
2



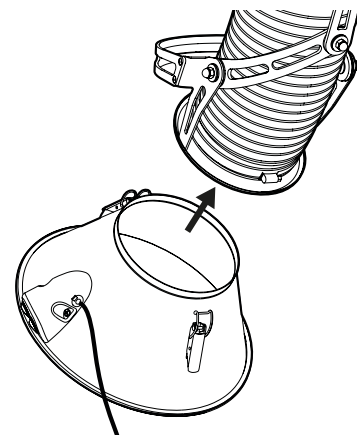
3

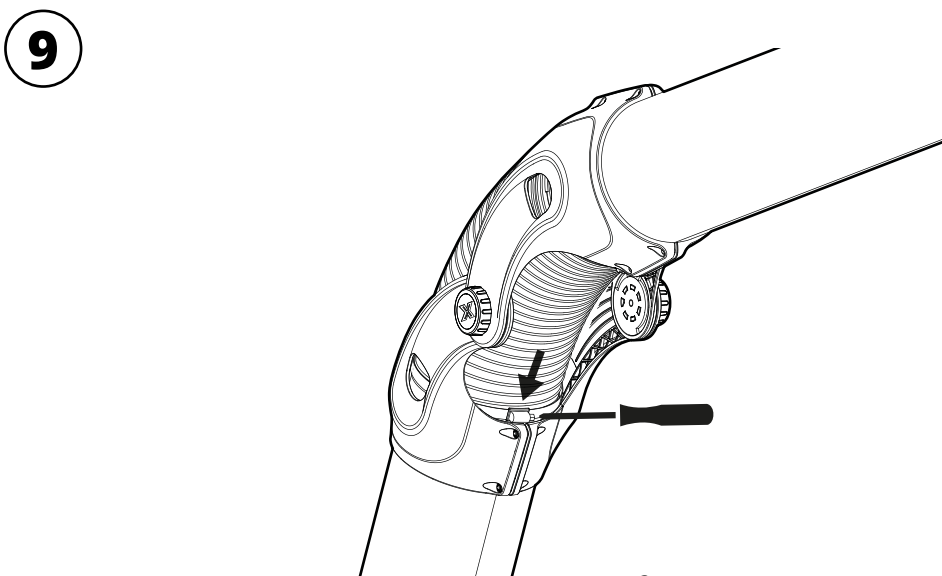
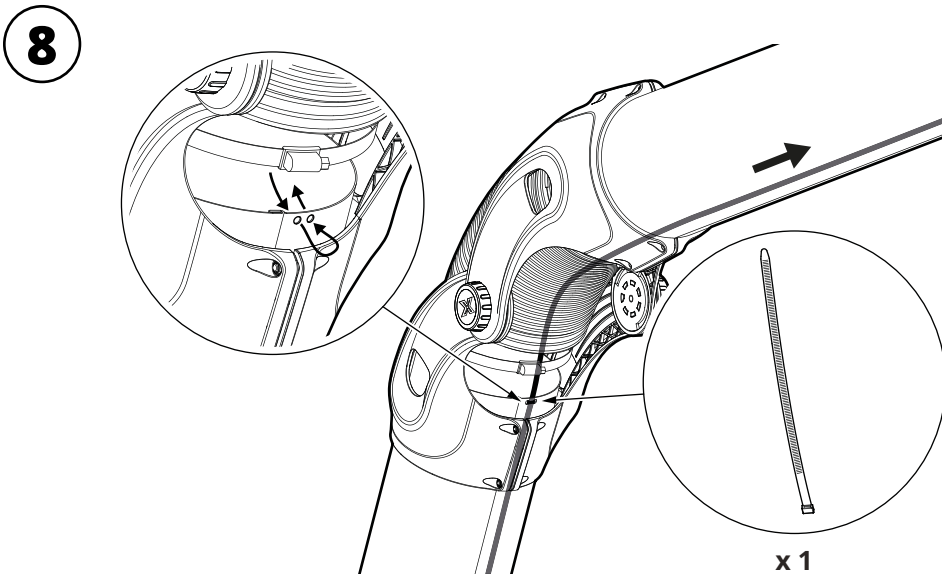
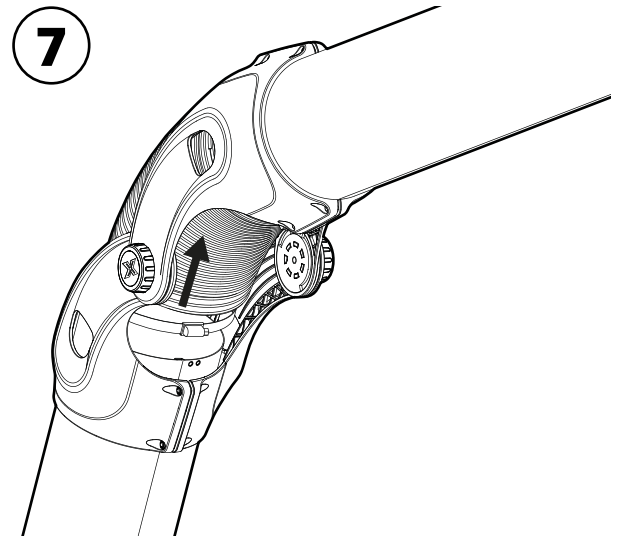
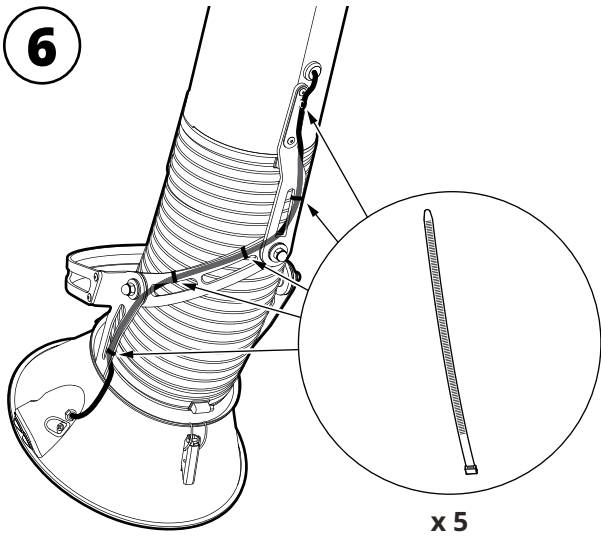


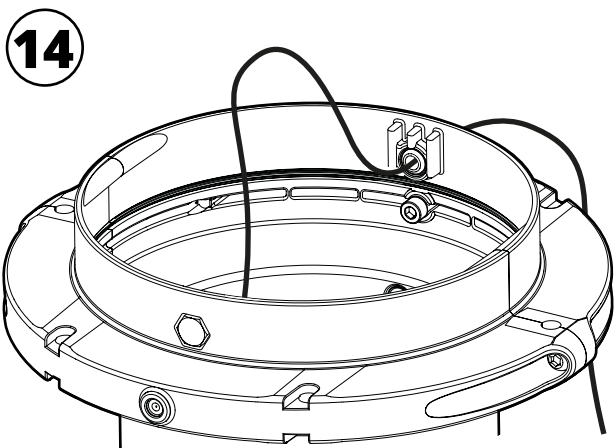
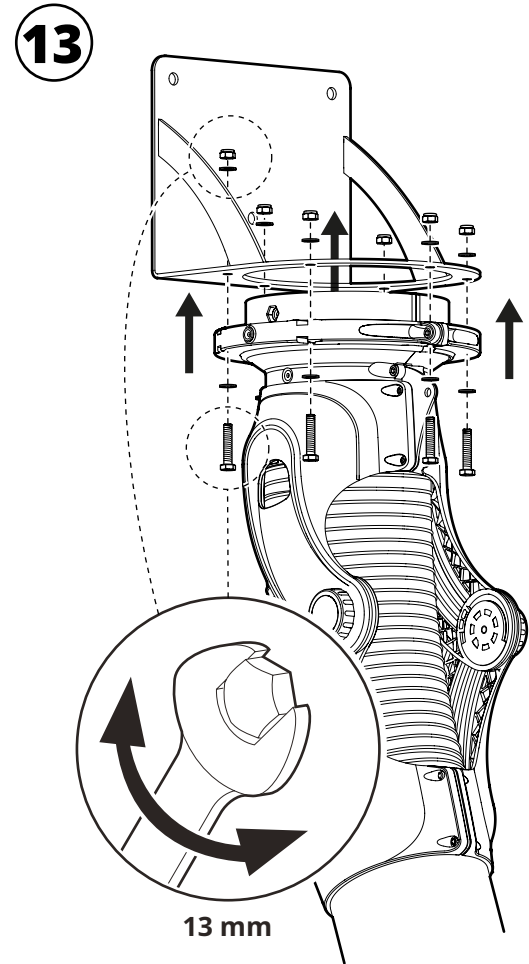
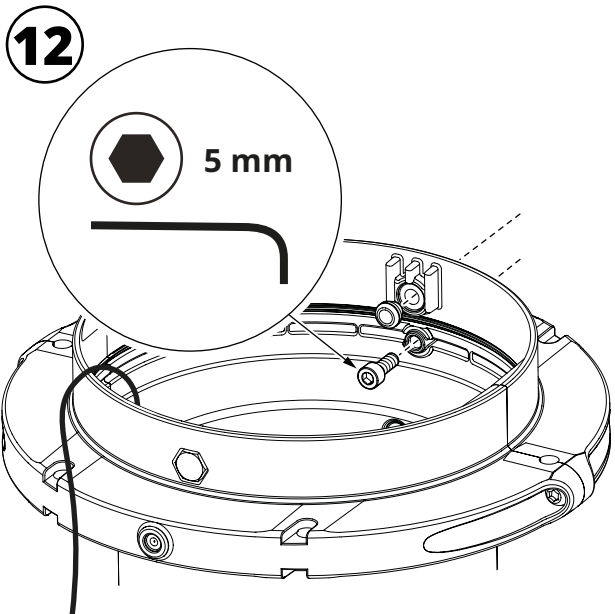
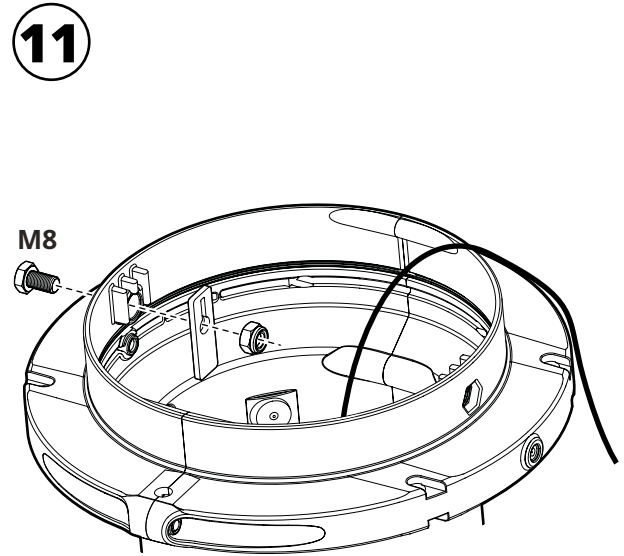
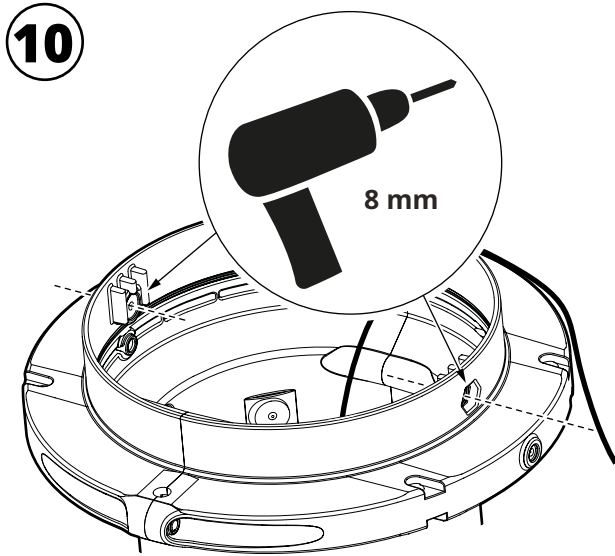
4



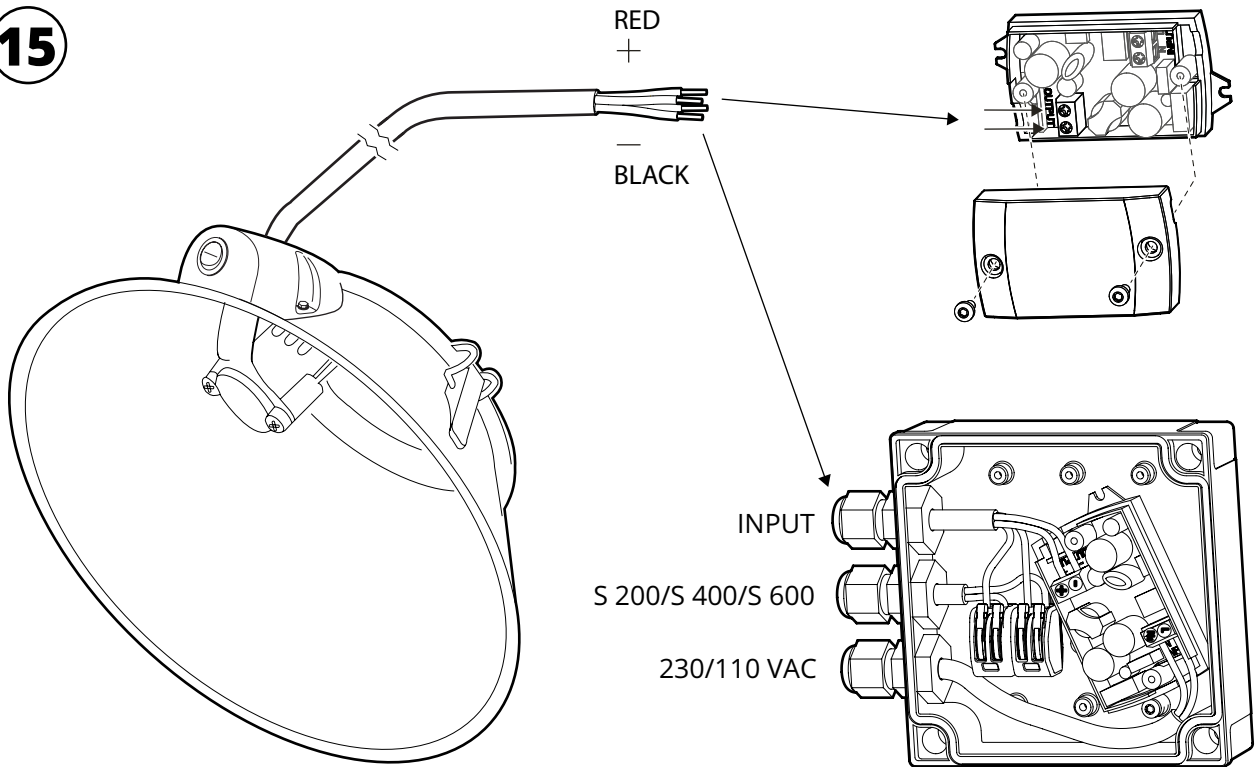
5





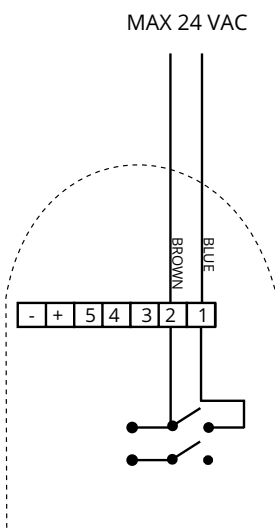


15

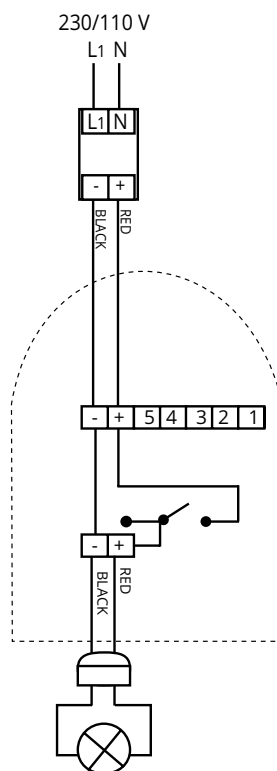


Schematics

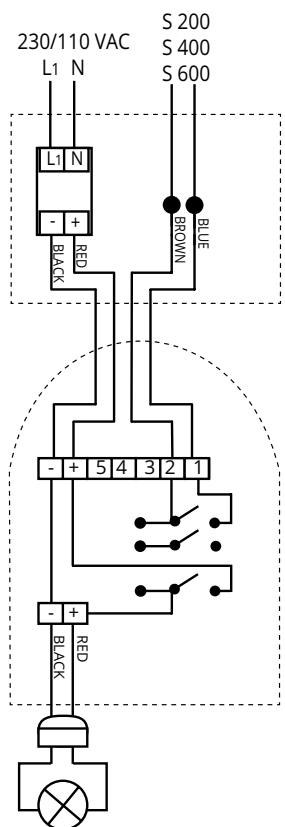
PK T



PK LED



PK LED/T



Technical data

Installation

Terminal INPUT 100-240V 1N~ (1).
Terminal OUTPUT 3-21VDC @350mA (2)
Effect: Max 6W
Frequency: 50-60 Hz
Terminal: Max 1,5 mm²/terminal
Ambient temp.: 0 to +50°C
Weight: 33 gram

Meets requirements

Lighting materials - General: EN 61347-1
Lighting materials - Safety: EN 61347-2-13
RoHS directive: 2011/65/EU

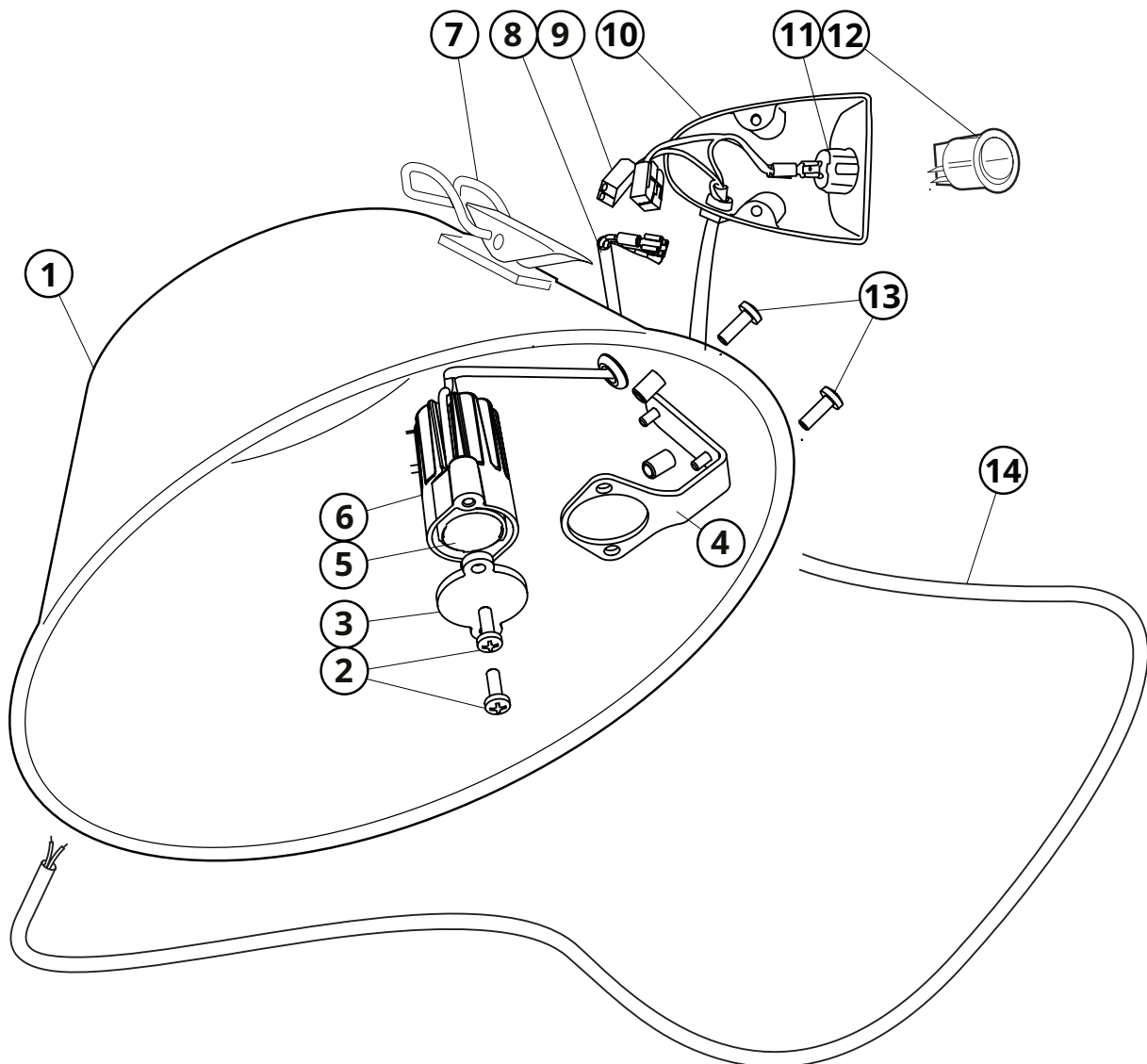
Housing

Material: PCB
IP Rating: IP 20
Dimension: 68x36x21 mm

Maintenance

Maintenance free

Exploded view



Notes

FUMEX SUPPLIES EXTRACTION ARMS • VEHICLE EXHAUST EXTRACTION • FANS • FILTERS • CONTROLS • WORKSHOP EQUIPMENT

FUMEX

Verkstadsvägen 2, 93161 Skellefteå, Sweden • Tel.: +46 910-361 80 • Fax: +46 910-130 22 • E-mail: info@fumex.se
www.fumex.com